

# T-28 BACKGROUND DATA

Confirmed corrections and additions would be very welcome to [steve.darke@psw ltd.com](mailto:steve.darke@psw ltd.com)

## CONTENTS

ABBREVIATIONS.....	2
VARIANTS.....	3
IDENTIFICATION NOTES.....	6
T-28D/D-5/D-10 MODIFICATION SEQUENCE NUMBERS VS. USAF/USN SERIAL NUMBERS .....	8
REFERENCES.....	15

## ABBREVIATIONS

AAM	Air America
AASB	Arizona Aircraft Storage Branch, Davis Monthan (01Jun56 to 31Jul59)
2704ASDG	2704 <sup>th</sup> Aircraft Storage and Disposition Group (ex AASB; activated 01Aug59; re-designated MASC 01Feb65)
MASDC	Military Aircraft Storage & Disposition Center, Davis Monthan (ex 2704 <sup>th</sup> ASDGP; activated 01Feb65; re-designated AMARC Oct85)
AMARC	Aerospace Maintenance & Regeneration Center, Davis Monthan (ex MASDC from Oct85; re-designated AMARG 02May07)
AMARG	309th Aerospace Maintenance and Regeneration Group, Davis Monthan (ex AMARC from 02May07)
Bob Sikes	= Fairchild, Bob Sikes Airport, Crestview, FL
BoS	Bill of Sale
CADO	Central Aircraft Disposal Office, Davis Monthan
DPDO	(US) Defense Property Disposal Office
FAA	(US) Federal Aviation Administration
Khmer AF	AVRK (Aviation Royale Khmère) 1954-70 AVNK (Aviation Nationale Khmère) 1970-75 AFKLA (Air Force of Kampuchea Liberation Army) post Apr-75
LPLAAF	Laos People's Liberation Army Air Force (post May-75)
MAP	Military Assistance Program XS = excess PR = procurement REDIS = redistribution from other MAP recipient TRANS = transfer of MAP owned assets
NAA	North American Aviation
NARA	US National Archives
RCN	NARA archives 'Record Control Number'
RLaoAF	Royal Lao Air Force (to 1975)
RoCAF	Republic of China Air Force (Taiwan)
RoKAF	Republic of Korea Air Force
<i>Raven</i>	' <i>Steve Canyon Program</i> ' Forward Air Controllers in Laos
SMAARFPRJY	Sacramento Air Materiel Area (SMAAR) from (F) McClellan (PRJY)
soc	Struck Off Charge
TAS, TASP	<i>possibly</i> Thompson Aircraft Sales (Phoenix, AZ)
TL	USAF strike code for issued 'to outside USAF', i.e. any other US government organisation, foreign assistance programme (MAP etc), civilian operator etc
USMACTHAI	US Military Air Command Thailand
<i>Water Pump</i>	Established Mar64 with 4 T-28's based at Udorn. Officially Detachment 6, 1 <sup>st</sup> ACW; re-designated Detachment 1, 606 <sup>th</sup> ACS 10Jun66; later re-designated Detachment 1, 56 <sup>th</sup> SOW; re-assigned to USMACTHAI 1973. Aircraft assigned to RLaoAF & in RLaoAF markings.
<i>Zorro</i>	USAF 606 <sup>th</sup> ACS unit based at Nakhon Phanom, Thailand, 1966-68. Aircraft assigned to USAF, tail code 'TO'.

## VARIANTS

Summary of NAA T-28 type numbers:-

Type Number	Model	Number built	Notes
NA-159	XT-28 / T-28A	2 / 266	
NA-171	T-28A	125	
NA-174	T-28A	744	
NA-189	T-28A	59	
NA-199	T-28B	(2)	T-28As converted to T-28B standard
NA-200	T-28B	438	
NA-218	RT-28B	1	
NA-219	T-28B	51	
NA-225	T-28C	(2)	T-28Bs converted to T-28C standard
NA-226	T-28C	243	
NA-252	T-28C	56	
NA-260	Nomad	(4)	Converted from T-28A for civilian use
NA-284	YAT-28E	(3)	Converted from T-28A
NA-307	T-28C	(72)	Converted from T-28A with new c/n's (but not built)
Total airframe production		1985	

XT-28 Prototypes. 2 built.

- (NA-159) 48-1371 to 48-1372 (2)

T-28A USAF version with 800hp Wright R-1300 engine. 2-blade propeller. 1,194 built.

- (NA-159) 49-1491 to 49-1756 (266)
- (NA-171) 50-0195 to 50-0319 (125)
- (NA-174) 51-3463 to 51-3796 (334)
- (NA-174) 51-7482 to 51-7891 (410)
- (NA-189) 52-1186 to 52-1242 (57)
- (NA-189) 52-3497 to 52-3498 (2)
- Bu150356 to Bu150405 (re-serialised USAF T-28A)
- Bu150692 to Bu150716 (re-serialised USAF T-28A)
- Bu153643 to Bu153659 (re-serialised USAF T-28A)

ET-28A

GT-28A USAF T-28A converted for ground instruction duties.

JT-28A

T-28B USN version with 1,425hp Wright R-1820 engine. Structural modifications. 3-blade propeller. Belly-mounted speed brake. Fully-castering nosewheel. MTOW 8,500lb. 2 prototypes converted from T-28A, plus 489 new-build 1954 & 1955, plus 17 converted from T-28A.

- (NA-199) Bu137636 to Bu137637 (prototypes, converted from USAF T-28A)
- (NA-200) Bu137638 to Bu137810 (173)
- (NA-200) Bu138103 to Bu138367 (265)
- (NA-219) Bu140002 to Bu140052 (51)
- Bu153643 to Bu153659 (converted from USAF T-28A)

Armed T-28B's were used in SE Asia with two ordnance pylons, plus one large gun pod, under each wing.

- RT-28B (NA-218) Reconnaissance version delivered to Japan. 1 built.
- DT-28B USN drone director conversion. 6 converted.
- T-28C USN version, as T-28B with shortened propeller blades and arrester hook for carrier landing training. ff 19Sep55. 2 prototypes converted from T-28B, plus 299 new-build.
- (NA-226) Bu140053 to Bu140077 (25)
  - (NA-226) Bu140449 to Bu140666 (218)
  - (NA-252) Bu146238 to Bu146293 (56)
  - (NA-225) Bu138185 & 138187 (converted from USN T-28B)
  - (NA-307) Bu154658 to Bu154729 (not built)
- RT-28 T-28's converted in Vietnam and fitted with the belly camera pack as used on the RF-84F. T-28's known to have operated as RT-28's are 51-3764 (RLaoAF) & Bu 140579 & Bu146244 (both SVNAF).
- T-28D ex USAF T-28A converted for COIN role from 1962, with 1,425hp Wright R-1820 engine. Two ordnance pylons, and one large gun pod, under each wing (no internal ammunition storage in the wings). MTOW 8,500lb. Mod Sequence #'s 1 to 131, believed by NAA, Columbus, OH
- T-28D-5 as T-28D converted from 1965. Wing strengthening mod incorporated. Internal ammunition storage in the wings, therefore smaller, faired gun pods. Three ordnance pylons under each wing. R-1820 engine. MTOW 10,500lb. Mod Sequence #'s 132 to 321, believed by NAA, Columbus, OH
- AT-28D-5 as T-28D-5 converted in 1973. Only difference to T-28D-5 believed to be additional radio equipment (UHF, VHF, FM, HF, VOR, TACAN, ILS, ADF, IFF, and Air-to-Air TACAN). Mod Sequence #'s 001 to 050.
- T-28D-10 as T-28D-5 but converted from ex USN T-28B. Speed brake removed. R-1820 engine. Mod Sequence #'s 401 to 450. 72 (?) reported converted by Fairchild at St. Augustine, FL (or at Bob Sikes ?).
- A listing of T-28D/D-5/D-10 Modification Sequence # vs. US/USN serial number is included below. There were also many 'field' modifications to essentially T-28D standard.
- The 'Yankee' extraction system, originally designed for the A-1 Skyraider, was also fitted in the field to many T-28D's, D-5's and D-10's.
- YAT-28E (NA-284) Turboprop COIN conversion. 2,445hp Lycoming YT-55L-9 turboprop. Armed with two .50 in machine guns and up to 6,000lb of weapons on twelve underwing pylons. Three prototypes converted by NAA from T-28As but project cancelled in 1965.
- #1 52-1242; ff at YAT-28E 15Feb63, w/o 27Mar63 following failure of horizontal tail
  - #2 51-3786; 1st ACW, Eglin; to AMARC 28Aug66; to N2800E
  - #3 51-3788; 1st ACW, Eglin; to AMARC 24Aug66; to Pima Air And Space Museum
- AIDC T-CH-1 A further turboprop development was carried out in Taiwan, using the 1,450hp Lycoming T53-L-701. Two versions were produced, the T-CH-1A trainer and the A-CH-1B light attack aircraft. The T-CH-1A prototype first flew on 23-Nov-74, with the T-CH-1B flying four days later. The type entered service with RoCAF in mid-1981, replacing the existing T-28A's then in service. A later reconnaissance version, the R-CH-1, was produced. 52 built in total, including 2 prototypes, all believed to be new-build rather than converted from T-28A's.
- Nomad (NA-260) Civilianised, upgraded, T-28A to Type Certificate 1A18 approved 29Jly60. Produced by NAA & PacAero. 4 built.
- #1 N79Z ex 49-1714, N6079C; converted by NAA; ff 02Jun58; to Sud Aviation as Fennec #01; w/o during testing
  - #2 N6883C ex 51-3593; converted by PacAero; to Sud Aviation as replacement Fennec #01
  - #3 N ex 51-3751; converted by PacAero; to Sud Aviation as Fennec #02
  - #4 N260PA ex 51-3684; converted by PacAero; to N2800G

Fennec 149 (51-3751 was #02, then later modified as #147) ex USAF T-28A's refurbished and modified with 1,425 hp Wright R-1820 engine by Sud Aviation at St. Nazaire from 1959. First three converted from T-28A's already converted to NA / PacAero Nomad.

T-28R-1 / R-2 Conversions by Hamilton Aircraft Co to Type Certificate A1WE. Approved for T-28R-2 31Jan62 & for T-28R-1 26Mar62. Both with 1,425 hp Wright R-1820 engine. Brazilian Navy T-28R-1's fitted with arrester gear. T-28R-2 modified with 5 seats.

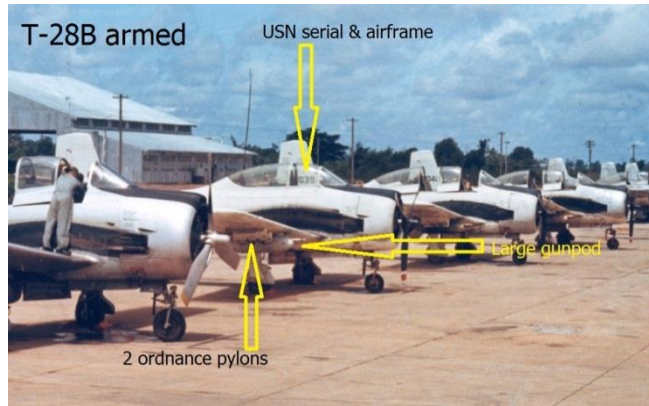
- **T-28R-2**; N9102Z ex 50-0201; current Dec13
- **T-28R-1** #2; N3314G ex 51-7698; w/o 06May78 near Huntsville, AL
- **T-28R-1** #3; N3311G ex 50-0270; canx 26Oct62; to Brazilian Navy
- **T-28R-1** #4; N8396H ex 49-1605; canx 26Oct62; to Brazilian Navy
- **T-28R-1** #5; N9104Z ex 50-0202; canx 14Nov62; to Brazilian Navy
- **T-28R-1** #6; N9095Z ex 50-0299; canx 14Nov62; to Brazilian Navy
- **T-28R-1** #7; N6083C ex 49-1665; canx 26Oct62; to Brazilian Navy
- **T-28R-1** #8; N9874C ex 49-1720; canx 14Nov62; to Brazilian Navy
- **T-28R-2** #9; N182U ex 49-1721; w/o 02Jul83 Martinez, GA
- **T-28R-2** #10; N9106Z ex 49-1587; canx 05Jun71; to N28DS 05Jun71

**IDENTIFICATION NOTES**

These notes are intended to help with identification from photos of the different variants of the T-28. They can however only be a guide, because of the many field mods carried out. Some features, such as the ammunition bay door, can be hard to see in photos.

**T-28A** Base model with 2-blade propeller; all later models have a 3-blade propeller. No belly speed brake. USAF airframes only.

**T-28B (armed)** 2 pylons plus large gunpod (T-28D type - see below) under each wing. Belly speed brake. USN airframes only.



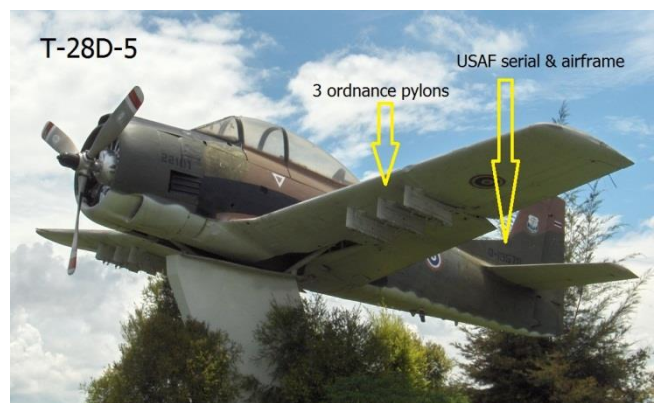
**T-28C** Arrestor hook. Belly speed brake. USN airframes only.



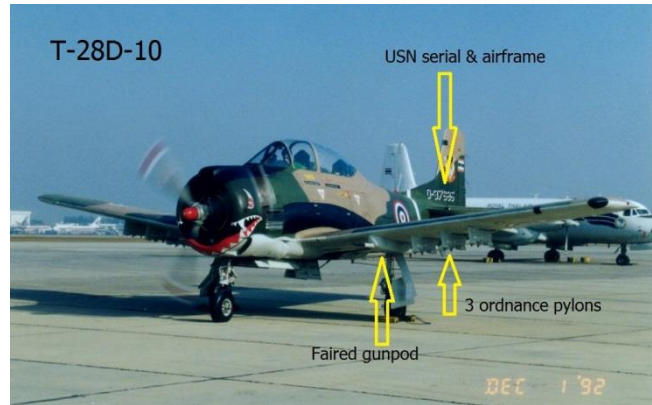
**T-28D** 2 pylons plus large gunpod (T-28D type - see below) under each wing. No belly speed brake. USAF airframes only.



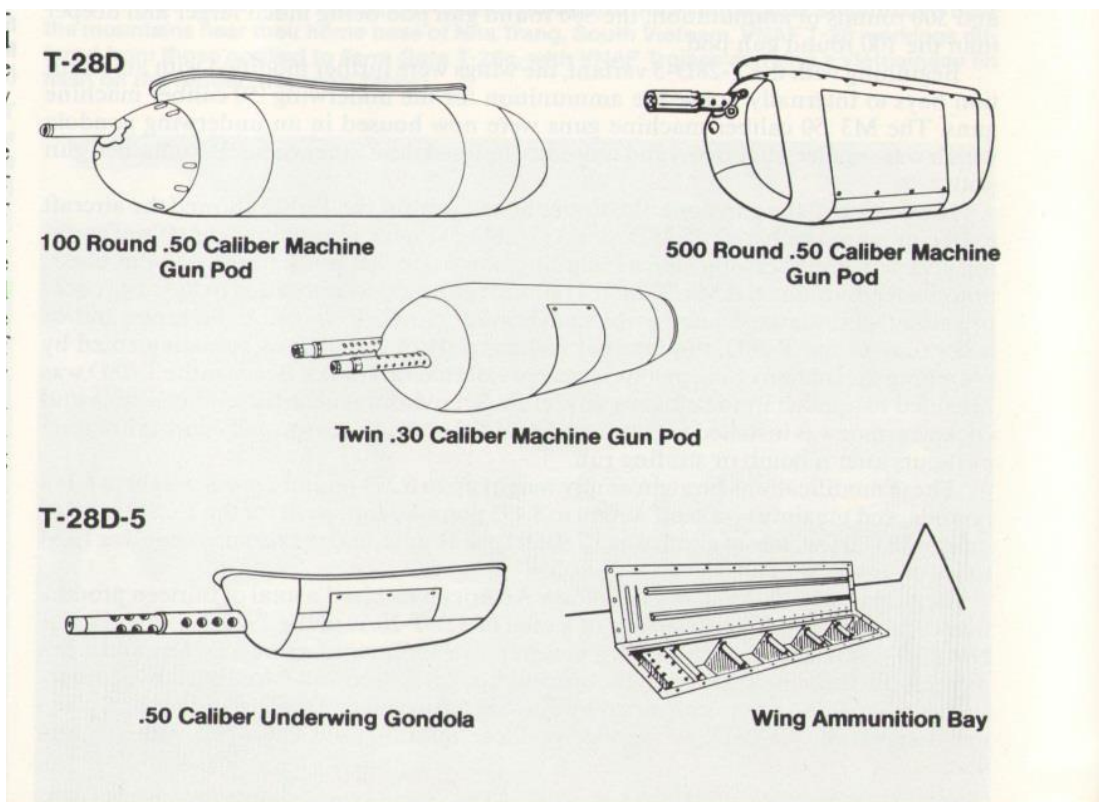
**T-28D-5** 3 pylons plus faired gunpod (T-28D-5 type - see below) under each wing. Ammunition bay door in wing top surface near leading edge. No belly speed brake. USAF airframes only.



**T-28D-10** 3 pylons plus faired gunpod (T-28D-5 type - see below) under each wing. Ammunition bay door in wing top surface near leading edge. No belly speed brake. USN airframes only.



Distinguishing between T-28D-5 and T-28D-10 is really only possible if the serial can be read, and therefore it is known if it is a USAF or a USN airframe. The model is also printed in the datablock, just below the left front canopy on the fuselage, but this can rarely be read in a photo.



## T-28D/D-5/D-10 MODIFICATION SEQUENCE NUMBERS VS. USAF/USN SERIAL NUMBERS

The list below is taken from the T-28 Parts Manual. It only includes 'official' modifications, not those carried out in the field.

Note that references to Bob Sikes = Fairchild Crestview

The US civil registrations for T-28A's regained by USAF for the T-28D programme are listed in the table.

Mod. Sequence #	US Serial	US N-reg for 'regained' T-28's & Notes	Modification Site & Date (of entry into program)
<b>T-28D</b>			
1	52-1186		NAA, Columbus, OH 25-Apr-62
2	52-1187		NAA, Columbus, OH 29-Apr-62
3	52-1192		
4	52-1208		
5	52-1210		NAA, Columbus, OH by May-62
6	52-1211		NAA, Columbus, OH by May-62
7	52-1213		NAA, Columbus, OH by May-62
8	52-1225		NAA, Columbus, OH by May-62
9	52-1239		NAA, Columbus, OH by May-62
10	52-1229		NAA, Columbus, OH by May-62
11	52-3498		
12	52-1233		NAA, Columbus, OH by May-62
13	52-1196		NAA, Columbus, OH by May-62
14	52-1228		NAA, Columbus, OH by May-62
15	51-7599		NAA, Columbus, OH by May-62
16	51-7607		NAA, Columbus, OH by May-62
17	51-7611		NAA, Columbus, OH by May-62
18	51-7617		NAA, Columbus, OH by May-62
19	51-7610		NAA, Columbus, OH by Jun-62
20	51-7626		NAA, Columbus, OH by May-62
21	51-7650		NAA, Columbus, OH by Jun-62
22	51-7622		Eglin, FL 27-May-63
23	51-7635		Eglin, FL 27-May-63
24	51-7616		Eglin, FL 27-May-63
25	51-7665		Eglin, FL 27-May-63
26	51-7592		NAA, Columbus, OH by Jul-62
27	51-7677		NAA, Columbus, OH by Jul-62
28	51-7678		
29	51-7667		
30	51-7715		NAA, Columbus, OH by Jul-62
31	51-7724		
32	51-7621		
33	51-7591		
34	51-7595		
35	51-7662		NAA, Columbus, OH 16-Feb-62
36	51-7753		NAA, Columbus, OH by Jul-62
37	51-7735		NAA, Columbus, OH 29-Jun-62
38	51-7763		
39	51-7739		
40	51-7741		NAA, Columbus, OH 29-Jun-62
41	51-7746		
42	51-7770		NAA, Columbus, OH by Jul-62
43	51-7773		
44	51-7758		NAA, Columbus, OH by Jul-62
45	51-7779		NAA, Columbus, OH by Jul-62
46	51-7777		NAA, Columbus, OH by Jul-62
47	51-7774		NAA, Columbus, OH by Jul-62
48	51-7806		NAA, Columbus, OH 09-Jul-62
49	51-7807		NAA, Columbus, OH 09-Jul-62
50	51-7815		NAA, Columbus, OH 10-Jul-62
51	51-7823		NAA, Columbus, OH 11-Jul-62



52	51-7819		NAA, Columbus, OH 11-Jul-62
53	51-7584		NAA, Columbus, OH 14-Jul-62
54	51-7825		NAA, Columbus, OH 14-Jul-62
55	51-7831		NAA, Columbus, OH 16-Jul-62
56	51-7833		NAA, Columbus, OH 14-Jul-62
57	51-7839		NAA, Columbus, OH 18-Jul-62
58	51-7837		NAA, Columbus, OH 18-Jul-62
59	51-7778		NAA, Columbus, OH 19-Jul-62
60	51-7828		NAA, Columbus, OH 18-Jul-62
61	51-7841	USAF	NAA, Columbus, OH 24-Jul-62
62	51-7851	USAF, then USN	NAA, Columbus, OH 26-Jul-62
63	51-7859	USAF	Eglin, FL 27-May-63
64	51-7849	To BOLIVIA ?	NAA, Columbus, OH 30-Jul-62
65	51-7855	USAF SE Asia w/o 19-Feb-64	NAA, Columbus, OH 30-Jul-62
66	51-7863	USAF SE Asia w/o 04-Dec-64	NAA, Columbus, OH 01-Aug-62
67	51-7869		NAA, Columbus, OH 02-Aug-62
68	51-7870	USAF SE Asia w/o 19-Nov-64	NAA, Columbus, OH 04-Aug-62
69	51-7871	USAF SE Asia w/o 26-Jun-64	NAA, Columbus, OH 31-Jul-62
70	51-7861	USAF	NAA, Columbus, OH 03-Aug-62
71	51-3706		
72	51-3791		NAA, Columbus, OH 12-Nov-62
73	51-3796		NAA, Columbus, OH by Nov-62
74	51-3758		NAA, Columbus, OH 21-Aug-63
75	51-3793	USAF soc 03-Jan-64 (Hurlburt)	NAA, Columbus, OH 10-Dec-62
76	51-3712		
77	51-3792		NAA, Columbus, OH 22-Dec-62
78	51-3735		NAA, Columbus, OH 06-Nov-63
79	51-3783	To ETHIOPIA ?	
80	51-7540	To ETHIOPIA ?	NAA, Columbus, OH 14-Sep-63
81	51-7651	To ETHIOPIA ?	NAA, Columbus, OH 20-Sep-63
82	51-7483	To ETHIOPIA ?	NAA, Columbus, OH 30-Sep-63
83	51-3789	To ETHIOPIA ?	NAA, Columbus, OH 02-Oct-63
84	51-3794	To ETHIOPIA ?	NAA, Columbus, OH 30-Sep-63
85	51-7589	To ETHIOPIA ?	NAA, Columbus, OH 11-Oct-63
86	51-3779	To ETHIOPIA ?	
87	51-7567	To ETHIOPIA ?	NAA, Columbus, OH 23-Oct-63
88	51-3778	To ETHIOPIA ?	
89	51-7538	To ETHIOPIA ?	NAA, Columbus, OH 31-Oct-63
90	51-7683	To ETHIOPIA ?	NAA, Columbus, OH 01-Nov-63
91	51-7496	To ETHIOPIA ?	NAA, Columbus, OH 03-Nov-63
92	51-7598	To ETHIOPIA ?	NAA, Columbus, OH 04-Nov-63
93	51-3771		
94	51-3767		
95	51-3764		
96	51-3777		
97	51-3768		
98	51-3770		
99	51-3772		
100	51-3744		NAA, Columbus, OH 09-May-64
101	51-3732		NAA, Columbus, OH 21-May-64
102	51-3724		NAA, Columbus, OH 01-May-64
103	51-3714		NAA, Columbus, OH 04-May-64
104	51-3698		NAA, Columbus, OH 11-May-64
105	51-3669		NAA, Columbus, OH 14-May-64
106	51-3658		NAA, Columbus, OH 21-May-64
107	51-3656		NAA, Columbus, OH 21-May-64
108	51-3463		
109	51-3470		
110	51-3472		
111	51-3511		
112	51-3469		NAA, Columbus, OH 10-Mar-65
113	51-3465		NAA, Columbus, OH 12-Mar-65
114	51-3467		NAA, Columbus, OH 17-Mar-65
115	51-3527		NAA, Columbus, OH 28-Jun-65

116	51-3531		NAA, Columbus, OH 09-Apr-65
117	51-3538		NAA, Columbus, OH 16-Apr-65
118	51-3506		
119	51-3507		NAA, Columbus, OH 17-Apr-65
120	51-3478		NAA, Columbus, OH 22-Apr-65
121	51-3508		NAA, Columbus, OH 17-Apr-65
122	51-3608		
123	51-3609		NAA, Columbus, OH 22-Apr-65
124	51-3518		NAA, Columbus, OH 29-Apr-65
125	51-3722		NAA, Columbus, OH 06-May-65
126	51-3632		NAA, Columbus, OH 06-May-65
127	51-3471		NAA, Columbus, OH 10-May-65
128	51-3548		NAA, Columbus, OH 28-May-65
129	51-3579		NAA, Columbus, OH 09-Jun-65
130	51-3588		NAA, Columbus, OH 09-Jun-65
131	51-3700		NAA, Columbus, OH 24-Jun-65
<b>T-28D-5</b>			
132	51-3475		
133	51-3474		NAA, Columbus, OH 02-Aug-65
134	51-3481		NAA, Columbus, OH 03-Aug-65
135	51-3486		NAA, Columbus, OH 06-Aug-65
136	51-3477		NAA, Columbus, OH 20-Aug-65
137	51-3534		NAA, Columbus, OH 20-Aug-65
138	51-7800	USAF	NAA, Columbus, OH 01-Sep-65
139	51-3543	To CONGO / ZAIRE	NAA, Columbus, OH 20-Sep-65
140	51-3563	To CONGO / ZAIRE	NAA, Columbus, OH 09-Sep-65
141	51-3559	To CONGO / ZAIRE	NAA, Columbus, OH 21-Sep-65
142	51-3578		NAA, Columbus, OH 16-Sep-65
143	51-3607	USAF	NAA, Columbus, OH 16-Sep-65
144	51-3595	USAF	NAA, Columbus, OH 23-Sep-65
145	51-3616	USAF / NAA	NAA, Columbus, OH 23-Sep-65
146	51-3514		NAA, Columbus, OH 23-Sep-65
147	51-3605		NAA, Columbus, OH 23-Sep-65
148	51-3480		NAA, Columbus, OH 04-Oct-65
149	51-3740		NAA, Columbus, OH 04-Oct-65
150	51-3743		NAA, Columbus, OH 29-Sep-65
151	51-3476		
152	52-1220		NAA, Columbus, OH 08-Oct-65
153	51-7597		
154	51-3759		NAA, Columbus, OH 20-Oct-65
155	51-3468		NAA, Columbus, OH 01-Nov-65
156	50-0317		NAA, Columbus, OH 22-Oct-65
157	50-0315		NAA, Columbus, OH 22-Oct-65
158	50-0314		NAA, Columbus, OH 28-Oct-65
159	50-0312		NAA, Columbus, OH 03-Nov-65
160	50-0311		NAA, Columbus, OH 03-Nov-65
161	50-0310		NAA, Columbus, OH 06-Nov-65
162	50-0309		NAA, Columbus, OH 09-Nov-65
163	50-0308		NAA, Columbus, OH 06-Nov-65
164	50-0307		NAA, Columbus, OH 19-Nov-65
165	50-0306		NAA, Columbus, OH 24-Nov-65
166	50-0301		NAA, Columbus, OH 19-Nov-65
167	50-0298		NAA, Columbus, OH 24-Nov-65
168	50-0297		NAA, Columbus, OH 02-Dec-65
169	50-0287		NAA, Columbus, OH 06-Dec-65
170	50-0285		NAA, Columbus, OH 08-Dec-65
171	50-0281		NAA, Columbus, OH 10-Dec-65
172	50-0280		NAA, Columbus, OH 16-Dec-65
173	50-0279		NAA, Columbus, OH 16-Dec-65
174	50-0269		NAA, Columbus, OH 05-Jan-66
175	50-0251		NAA, Columbus, OH 03-Jan-66
176	50-0250		NAA, Columbus, OH 28-Dec-65
177	50-0247		NAA, Columbus, OH 05-Jan-66
178	50-0245	To CONGO / ZAIRE	NAA, Columbus, OH 07-Jan-66

179	50-0244	To CONGO / ZAIRE	NAA, Columbus, OH 07-Jan-66
180	50-0243	To ECUADOR	NAA, Columbus, OH 19-Jan-66
181	50-0222	To ECUADOR	NAA, Columbus, OH 19-Jan-66
182	50-0211	To ECUADOR	NAA, Columbus, OH 07-Feb-66
183	50-0208	To ECUADOR	NAA, Columbus, OH 07-Feb-66
184	50-0205		NAA, Columbus, OH 02-Feb-66
185	50-0200		NAA, Columbus, OH 02-Feb-66
186	49-1756		NAA, Columbus, OH 07-Feb-66
187	49-1752	USAF (4410 CCTW) w/o 15-Apr-66	NAA, Columbus, OH 07-Feb-66
188	49-1751		
189	49-1749		NAA, Columbus, OH 02-Mar-66
190	49-1744		NAA, Columbus, OH 18-Feb-66
191	49-1743		NAA, Columbus, OH 04-Mar-66
192	49-1741		
193	49-1735		NAA, Columbus, OH 11-Mar-66
194	49-1732		NAA, Columbus, OH 11-Mar-66
195	49-1730		NAA, Columbus, OH 11-Mar-66
196	49-1725		NAA, Columbus, OH 26-Mar-66
197	49-1639		NAA, Columbus, OH 14-Jun-65
198	49-1621		NAA, Columbus, OH 15-May-66
199	49-1604	USAF SE Asia w/o 17-Jan-67	NAA, Columbus, OH 20-May-66
200	49-1599		NAA, Columbus, OH 16-May-66
201	49-1591		
202	49-1586	USAF SE Asia w/o 28-Jan-68	NAA, Columbus, OH 20-May-66
203	49-1583		NAA, Columbus, OH 23-May-66
204	49-1582	USAF SE Asia w/o 23-Oct-66	NAA, Columbus, OH 20-May-66
205	49-1572	USAF SE Asia w/o 02-Jan-68	NAA, Columbus, OH 21-May-66
206	49-1571		NAA, Columbus, OH 25-May-66
207	49-1569	USAF SE Asia w/o 12-Jul-67	NAA, Columbus, OH 25-May-66
208	49-1561		NAA, Columbus, OH 27-May-66
209	49-1559	USAF SE Asia w/o 01-Apr-67	NAA, Columbus, OH 28-May-66
210	49-1558	USAF SE Asia w/o 25-Dec-67	NAA, Columbus, OH 10-Jun-66
211	49-1543		NAA, Columbus, OH 10-Jun-66
212	49-1538		NAA, Columbus, OH 25-May-66
213	49-1532		NAA, Columbus, OH 26-May-66
214	49-1531		NAA, Columbus, OH 15-Jun-66
215	49-1526		NAA, Columbus, OH 09-Jul-66
216	49-1524	To ETHIOPIA?	NAA, Columbus, OH 21-Jun-66
217	49-1523		NAA, Columbus, OH 09-Jul-66
218	49-1522	To ETHIOPIA?	NAA, Columbus, OH 21-Jun-66
219	49-1508		NAA, Columbus, OH 24-Jun-66
220	49-1507	MAP	NAA, Columbus, OH 16-Jul-66
221	49-1504		NAA, Columbus, OH 15-Jul-66
222	49-1500		NAA, Columbus, OH 23-Jul-66
223	49-1496		NAA, Columbus, OH 29-Jul-66
224	51-3680	N3318G	NAA, Columbus, OH 22-Nov-66
225	51-3562	N5206V	NAA, Columbus, OH 02-Dec-66
226	50-0294	N3293G	NAA, Columbus, OH 14-Dec-66
227	50-0292	N3288G	NAA, Columbus, OH 15-Dec-66
228	50-0288	N3305G	NAA, Columbus, OH 20-Dec-66
229	50-0276	N9113Z	NAA, Columbus, OH 16-Jan-67
230	50-0274	N3306G	NAA, Columbus, OH 06-Jan-67
231	50-0271	N9690C	NAA, Columbus, OH 12-Jan-67
232	50-0261	N9693C	NAA, Columbus, OH 17-Jan-67
233	50-0259	N3464G	NAA, Columbus, OH 25-Jan-67
234	50-0257	N3304G	NAA, Columbus, OH 08-Feb-67
235	50-0254	N3307G	NAA, Columbus, OH 13-Feb-67
236	50-0242	N9696C	NAA, Columbus, OH 03-Mar-67
237	50-0220	N3301G	NAA, Columbus, OH 09-Mar-67
238	50-0223	N3300G	NAA, Columbus, OH 16-Mar-67
239	50-0232	N3284G	NAA, Columbus, OH 10-Apr-67
240	50-0228	N9112Z	NAA, Columbus, OH 10-Apr-67
241	50-0219	N3303G	NAA, Columbus, OH 10-Apr-67
242	50-0214	N9697C	NAA, Columbus, OH 10-Apr-67

243	50-0213	N3283G	NAA, Columbus, OH 10-Apr-67
244	50-0212	N7650C	NAA, Columbus, OH 10-Apr-67
245	50-0210	N3294G	NAA, Columbus, OH 10-Apr-67
246	50-0207	N9108Z	NAA, Columbus, OH 10-Apr-67
247	50-0199	N3291G	NAA, Columbus, OH 10-Apr-67
248	50-0197	N3309G	NAA, Columbus, OH 10-Apr-67
249	49-1723	N2883G	NAA, Columbus, OH 10-Apr-67
250	49-1648	N3223G	NAA, Columbus, OH 10-Apr-67
251	49-1624	N7645C	NAA, Columbus, OH 10-Apr-67
252	49-1542	N3208G (to CONGO / ZAIRE)	NAA, Columbus, OH 10-Apr-67
253	49-1533	N3230G (to CONGO / ZAIRE)	NAA, Columbus, OH 10-Apr-67
254	49-1528	N3212G (to CONGO / ZAIRE)	NAA, Columbus, OH 10-Apr-67
255	51-7801	N3201G	
256	51-3558	N9689C	NAA, Columbus, OH 04-Oct-67
257	51-3552	N5205V, N254JB	NAA, Columbus, OH 04-Oct-67
258	51-3500	N9686C	NAA, Columbus, OH 04-Oct-67
259	50-0303	(N3296G), N3338G	NAA, Columbus, OH 04-Oct-67
260	50-0289	N8094H	NAA, Columbus, OH 04-Oct-67
261	50-0278	N7452C	NAA, Columbus, OH 04-Oct-67
262	50-0262	N3299G	NAA, Columbus, OH 04-Oct-67
263	50-0246	N9092Z	NAA, Columbus, OH 04-Oct-67
264	50-0226	N9094Z	NAA, Columbus, OH 04-Oct-67
265	50-0216	N9120Z	NAA, Columbus, OH 04-Oct-67
266	49-1753	N9616C	NAA, Columbus, OH 04-Oct-67
267	49-1740	N9096Z	NAA, Columbus, OH 04-Oct-67
268	49-1717	N9165Z	NAA, Columbus, OH 04-Oct-67
269	49-1704	N7198C	NAA, Columbus, OH 04-Oct-67
270	49-1702	N5295V	NAA, Columbus, OH 07-Oct-67
271	49-1699	N5253V	NAA, Columbus, OH 11-Oct-67
272	49-1688	N7498C	NAA, Columbus, OH 20-Oct-67
273	49-1687	N7686C	NAA, Columbus, OH 03-Nov-67
274	49-1686	N7690C (to ECUADOR)	NAA, Columbus, OH 10-Nov-67
275	49-1647	N9859C (to ECUADOR)	NAA, Columbus, OH 10-Nov-67
276	49-1622	N3660G	NAA, Columbus, OH 17-Nov-67
277	49-1612	N7285C	NAA, Columbus, OH 22-Nov-67
278	49-1608	N9880C	NAA, Columbus, OH 29-Nov-67
279	49-1601	N9667C	NAA, Columbus, OH 04-Dec-67
280	49-1584	N8391H	NAA, Columbus, OH 06-Dec-67
281	49-1578	N2815G	NAA, Columbus, OH 08-Dec-67
282	49-1564	N2824G	NAA, Columbus, OH 13-Dec-67
283	49-1554	N2891G	NAA, Columbus, OH 15-Nov-67
284	49-1539	N3519G	NAA, Columbus, OH 20-Nov-67
285	49-1493	N7680C	NAA, Columbus, OH 28-Dec-67
286	49-1510	N3670G	NAA, Columbus, OH 05-Jan-68
287	49-1514	N9669C	NAA, Columbus, OH 10-Jan-68
288	49-1529	N2808G	NAA, Columbus, OH 12-Jan-68
289	49-1551	N3669G	NAA, Columbus, OH 17-Jan-68
290	49-1553	N2867G	NAA, Columbus, OH 19-Jan-68
291	49-1600	N2890G	
292	49-1613	N7641C	NAA, Columbus, OH 26-Jan-68
293	49-1627	N2837G	
294	49-1631	N3186G	
295	49-1637	N7698C, N98Z	
296	49-1638	N2868G	
297	49-1698	N7280C, N101TZ	NAA, Columbus, OH 16-Feb-68
298	49-1706	N5951V	NAA, Columbus, OH 29-Feb-68
299	49-1716	N5247V	NAA, Columbus, OH 06-Mar-68
300	49-1724	N2884G	NAA, Columbus, OH 07-Mar-68
301	49-1731	N9858C	NAA, Columbus, OH 13-Mar-68
302	50-0304	N7667C, N151P	NAA, Columbus, OH 15-Mar-68
303	50-0240	N3297G	NAA, Columbus, OH 19-Mar-68
304	50-0273	N7617C	NAA, Columbus, OH 22-Mar-68
305	50-0283	N7666C	NAA, Columbus, OH 26-Mar-68
306	50-0295	N6182C	NAA, Columbus, OH 29-Mar-68

307	51-3521	N3315G, N3663G	NAA, Columbus, OH 03-Apr-68
308	51-7793	N9635C	NAA, Columbus, OH 05-Apr-68
309	51-3485	N7640C	NAA, Columbus, OH 10-Apr-68
310	51-7696	N8097H, N8079H	NAA, Columbus, OH 11-Apr-68
311	50-0275	N9684C	NAA, Columbus, OH 16-Apr-68
312	49-1677	N7450C	NAA, Columbus, OH 18-Apr-68
313	49-1634	N9878C (to CONGO / ZAIRE)	NAA, Columbus, OH 02-May-68
314	49-1519	(N3185G), N8098H	NAA, Columbus, OH 14-May-68
315	49-1506	N9612C	NAA, Columbus, OH 17-May-68
316	49-1503	N7668C	NAA, Columbus, OH 23-May-68
317	49-1633		NAA, Columbus, OH 30-May-68
318	51-3739	USAF	NAA, Columbus, OH 07-Jun-68
319	51-3787		NAA, Columbus, OH 30-Jun-68
320	51-7493		NAA, Columbus, OH 21-Jun-68
321	51-7552		NAA, Columbus, OH 28-Jun-68
<b>AT-28D-5</b>			
001	51-7577		Pensacola, FL 27-Jun-73
002	51-7556		Pensacola, FL 27-Jun-73
003	51-7846		Pensacola, FL 27-Jun-73
004	51-7520		Pensacola, FL 27-Jun-73
005	51-7494		Pensacola, FL 27-Jun-73
006	51-7881		Pensacola, FL 16-Jul-73
007	51-7499		Pensacola, FL 16-Jul-73
008	51-7565		Pensacola, FL 16-Jul-73
009	51-7487		Pensacola, FL 16-Jul-73
010	51-7729		Pensacola, FL 16-Jul-73
011	51-7560		Pensacola, FL 16-Jul-73
012	51-7554		Pensacola, FL 16-Jul-73
013	51-7637		Pensacola, FL 10-Sep-73
014	51-7505		Pensacola, FL 10-Sep-73
015	51-7492		Pensacola, FL 10-Sep-73
016	51-3763		Pensacola, FL 10-Sep-73
017	51-7555		Pensacola, FL 10-Sep-73
018	51-7586		Pensacola, FL 10-Sep-73
019	51-3782		Pensacola, FL 04-Sep-73
020	51-7874		Pensacola, FL 10-Sep-73
021	51-7576		Pensacola, FL 10-Sep-73
022	52-1203		Pensacola, FL 10-Sep-73
023	51-7509		Pensacola, FL 03-Aug-73
024	51-7521		Pensacola, FL 10-Sep-73
025	51-7537		Pensacola, FL 16-Aug-73
026	51-7568		Pensacola, FL 10-Sep-73
027	51-7547		Pensacola, FL 17-Aug-73
028	51-7596		Pensacola, FL 10-Sep-73
029	51-7593		Pensacola, FL 10-Sep-73
030	51-3502		Bob Sikes, 13-Sep-73
031	51-3542		Bob Sikes, 16-Nov-72
032	51-3629		Pensacola, FL 07-Sep-73
033	51-3762		Pensacola, FL 23-Aug-73
034	51-3512		Bob Sikes, 20-Sep-73
035	51-3526		Bob Sikes, 20-Sep-73
036	51-3583		Bob Sikes, 20-Sep-73
037	51-3618		Bob Sikes, 20-Sep-73
038	51-3673		Bob Sikes, 20-Sep-73
039	51-3681	To HONDURAS	Bob Sikes, 20-Sep-73
040	51-3659	N3319G	Bob Sikes, 20-Sep-73
041	51-3695		Bob Sikes, 20-Sep-73
042	51-7512		Bob Sikes, 20-Sep-73
043	51-7531		Bob Sikes, 21-Sep-73
044	51-7551		Bob Sikes, 20-Sep-73
045	51-7569		Bob Sikes, 20-Sep-73
046	51-7872		Bob Sikes, 20-Sep-73
047	51-7873		Bob Sikes, 20-Sep-73
048	51-7878		Bob Sikes, 20-Sep-73

049	51-7882		Bob Sikes, 20-Sep-73
050	51-7891		Bob Sikes, 20-Sep-73
<b>T-28D-10</b>			
401	Bu138268		
402	Bu137729		
403	Bu138270		
404	Bu137769		
405	Bu137785		
406	Bu137646		
407	Bu138174		
408	Bu138225		
409	Bu138170		
410	Bu138229		
411	Bu138302		
412	Bu138152		
413	Bu138180		
414	Bu138288		
415	Bu138248		
416	Bu138199		
417	Bu137704		
418	Bu138208		
419	Bu138232		
420	Bu138258		
421	Bu138249		
422	Bu137773		
423	Bu137738		
424	Bu137757		
425	Bu137639		
426	Bu137742		
427	Bu137697		
428	Bu137673		
429	Bu137713		
430	Bu137674		
431	Bu137799		
432	Bu137675		
433	Bu137666		
434	Bu138183		
435	Bu137708		
436	Bu138359		
437	Bu137709		
438	Bu137677		
439	Bu137661		
440	Bu137701		
441	Bu153659		
442	Bu140019		
443	Bu138320		
444	Bu153655		
445	Bu138201		
446	Bu153646		
447	Bu138284		
448	Bu138173		
449	Bu138157		
450	Bu153648		

## **REFERENCES**